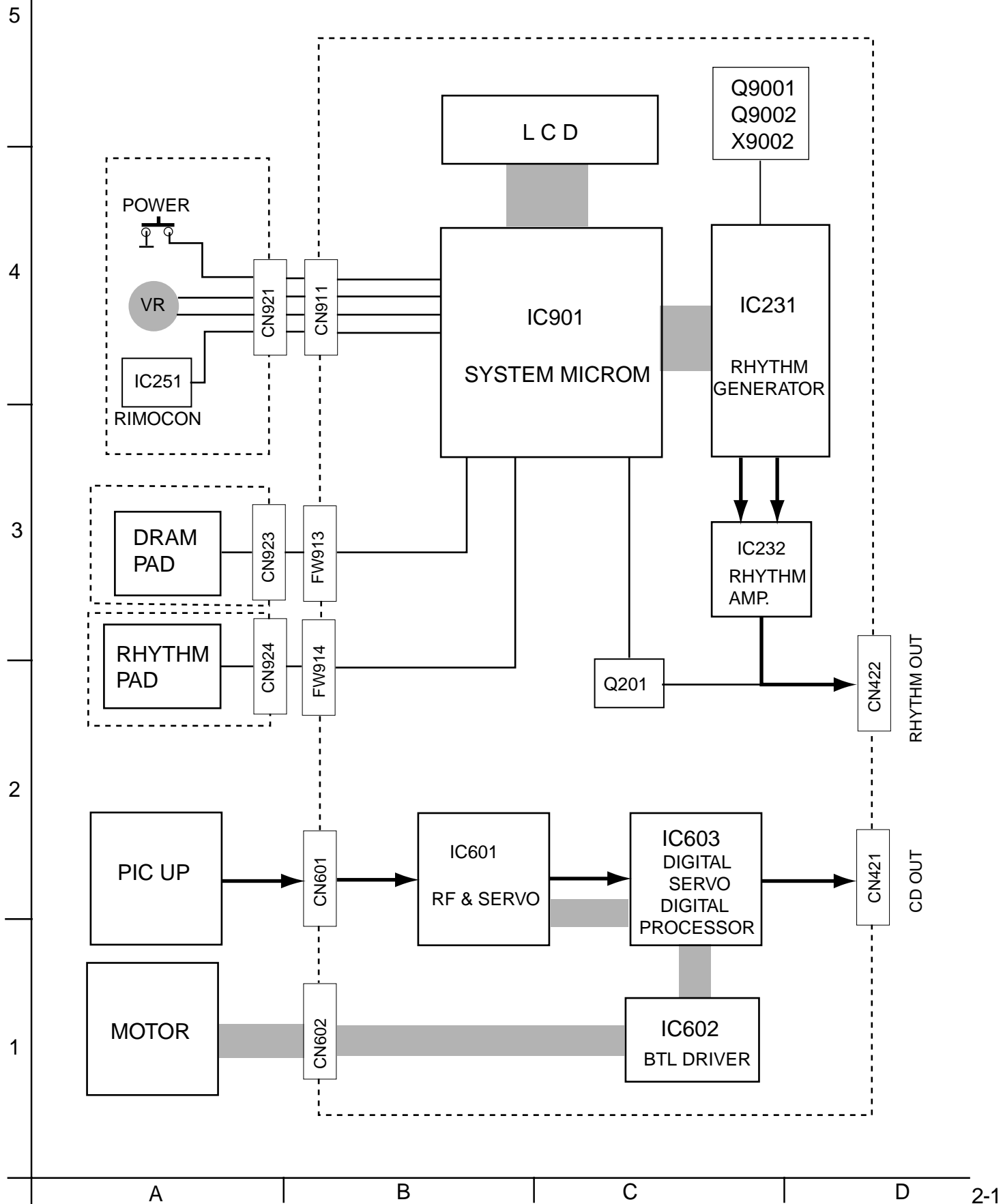
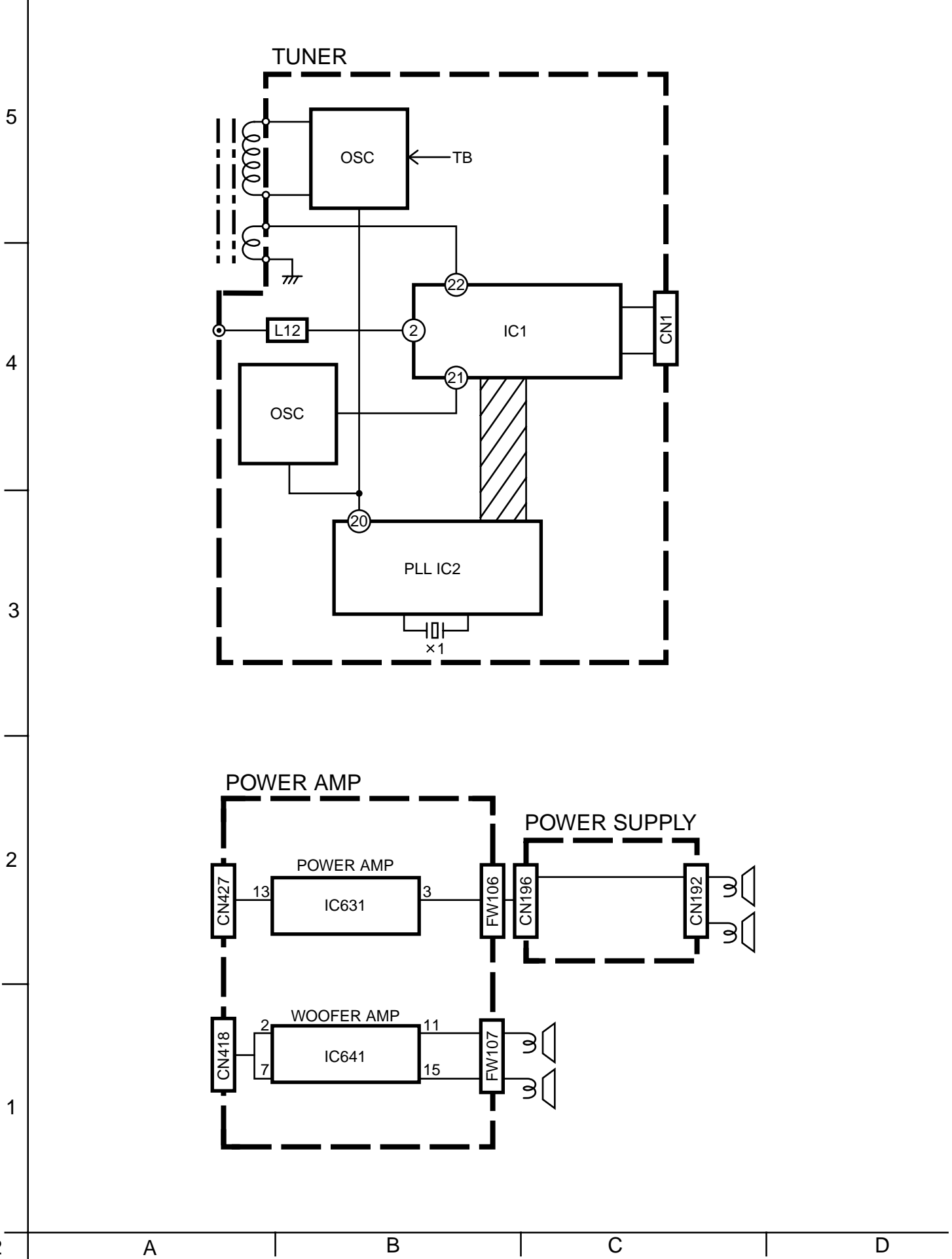


# Block diagrams

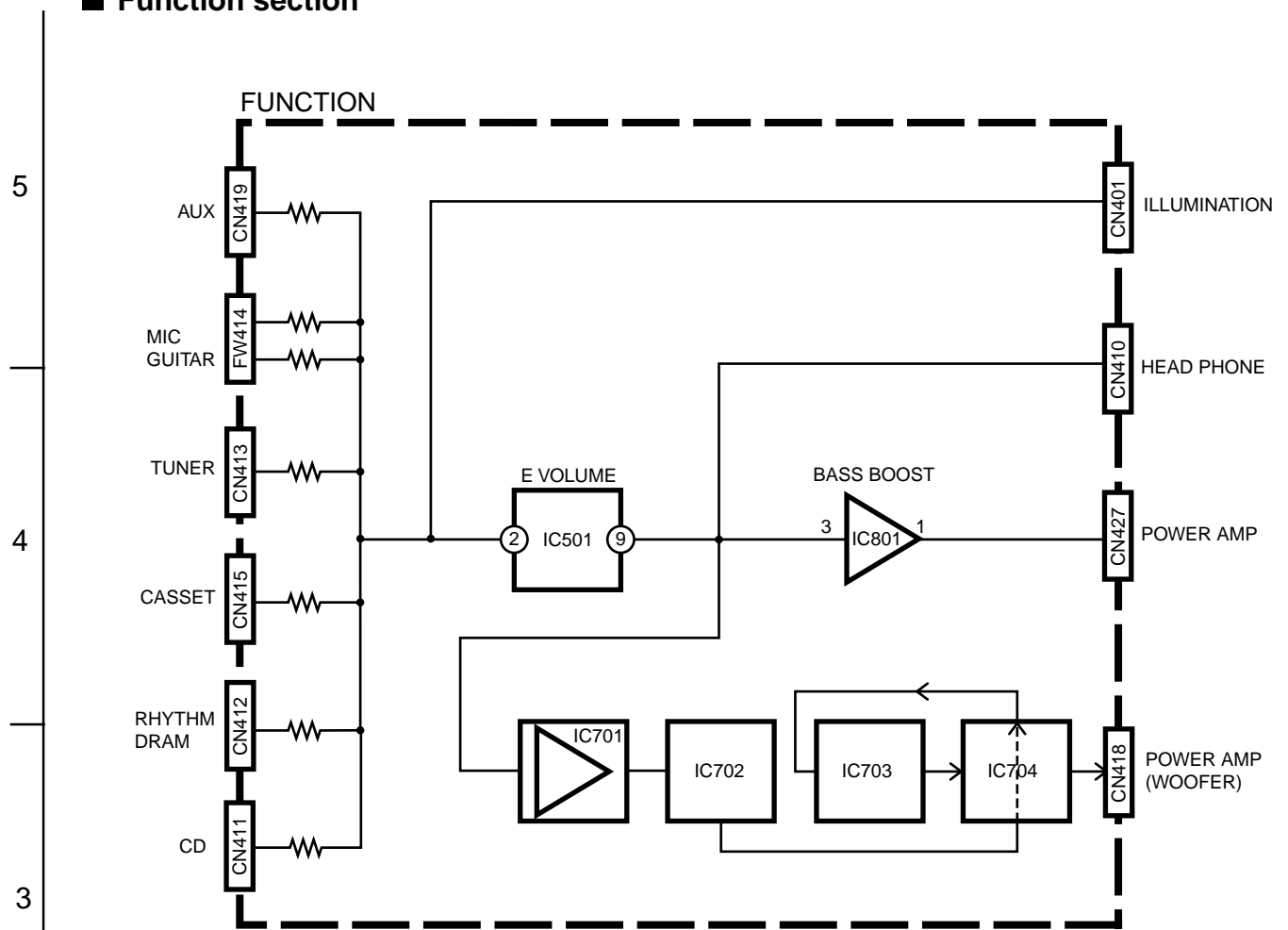
## ■ System control (Microm) section



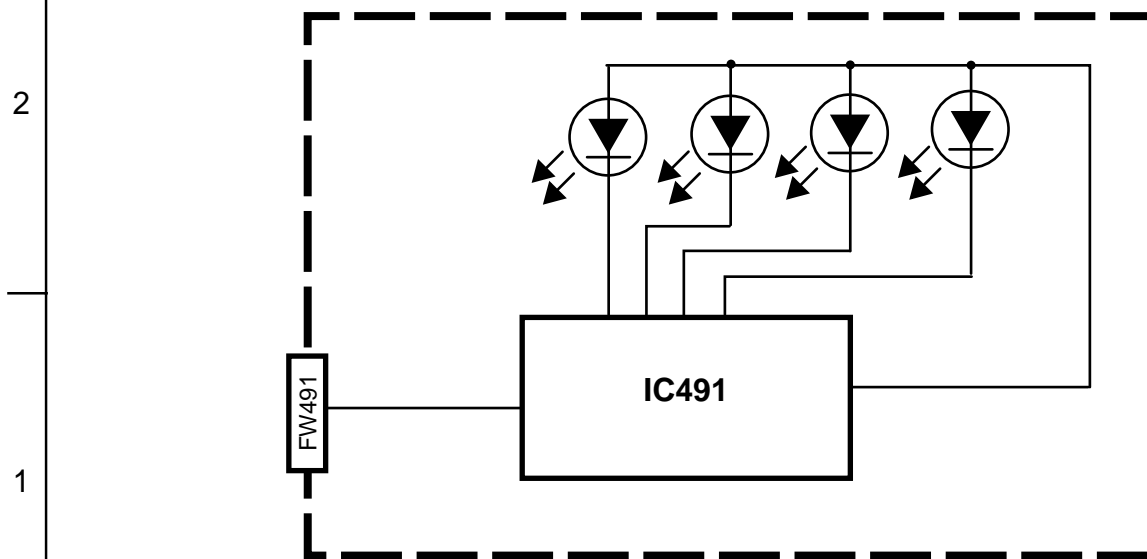
■ Tuner / Power section



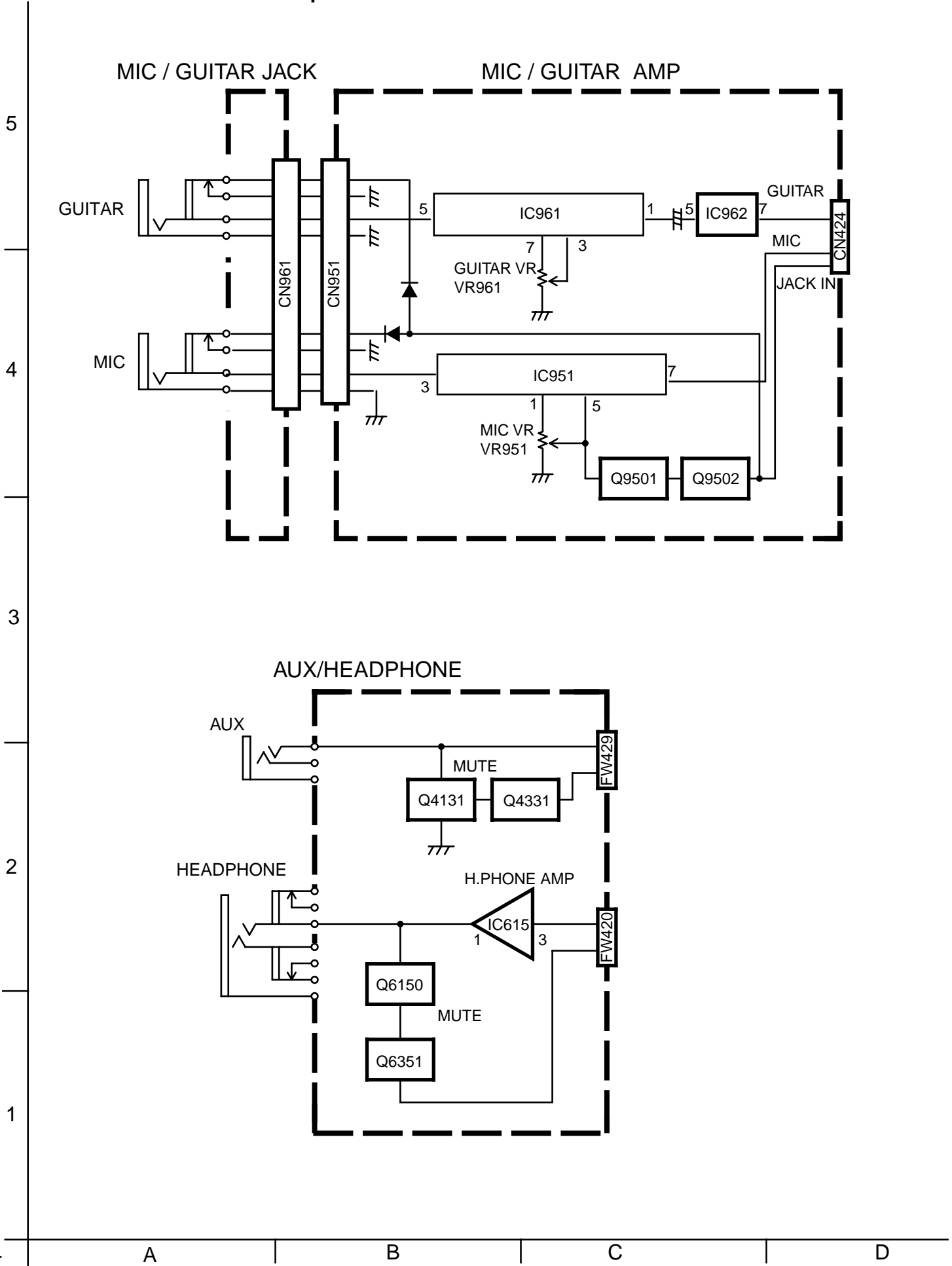
■ Function section



■ LED section



■ Mic/Guitar and AUX/Headphone section





Cassette amplifier section

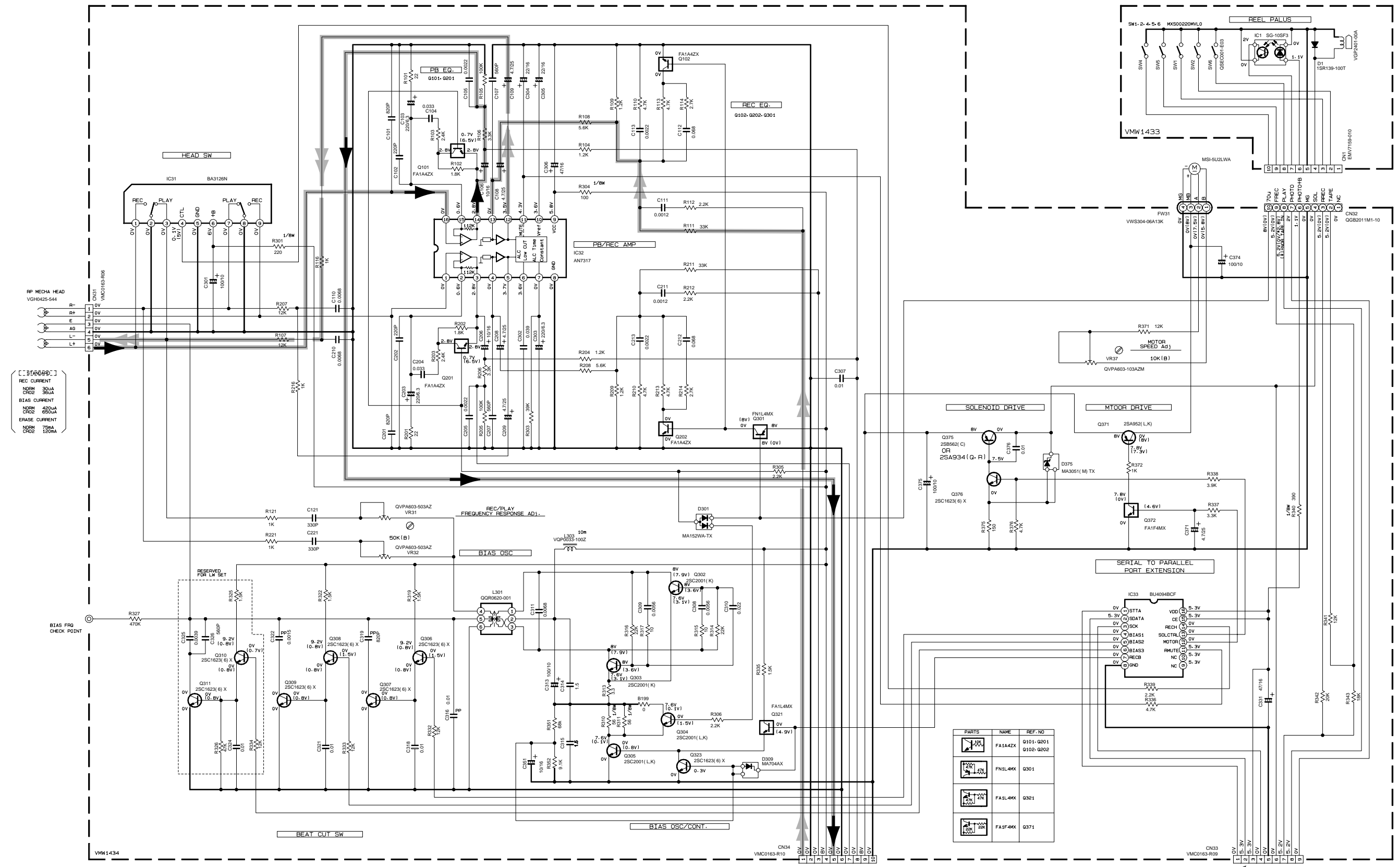
5

4

3

2

1



[STANDARD]

REC CURRENT	NORM 300A
CHOC	300A
BIAS CURRENT	NORM 4200A
CHOC	6500A
ERASE CURRENT	NORM 750A
CHOC	1200A

NOTES

1. VOLTAGES ARE DC-MEASURED WITH A DIGITAL VOLT METER OR OSCILLOSCOPE WITHOUT INPUT SIGNAL. CONDITION : MECHA STOP MODE

2. UNLESS OTHERWISE SPECIFIED, RESISTORS ARE 1/10W ±5% METAL GLAZE RESISTOR. ALL RESISTANCE VALUES ARE IN OHM(Ω). ALL CAPACITORS ARE CERAMIC CAPACITOR OR MYLAR CAPACITOR. ALL CAPACITANCE VALUES ARE IN μF(μF). ALL INDUCTANCE VALUES ARE IN mH(mH). ALL E-CAPACITORS ARE SHOWN IN THE FORM OF CAPACITANCE (#)/RATED VOLTAGE (V). POLYPROPYLENE CAPACITOR

PARTS	NAME	REF. NO
	FA144ZX	Q101, Q201, Q102, Q202
	FN14MX	Q301
	FA14MX	Q321
	FA14MX	Q371

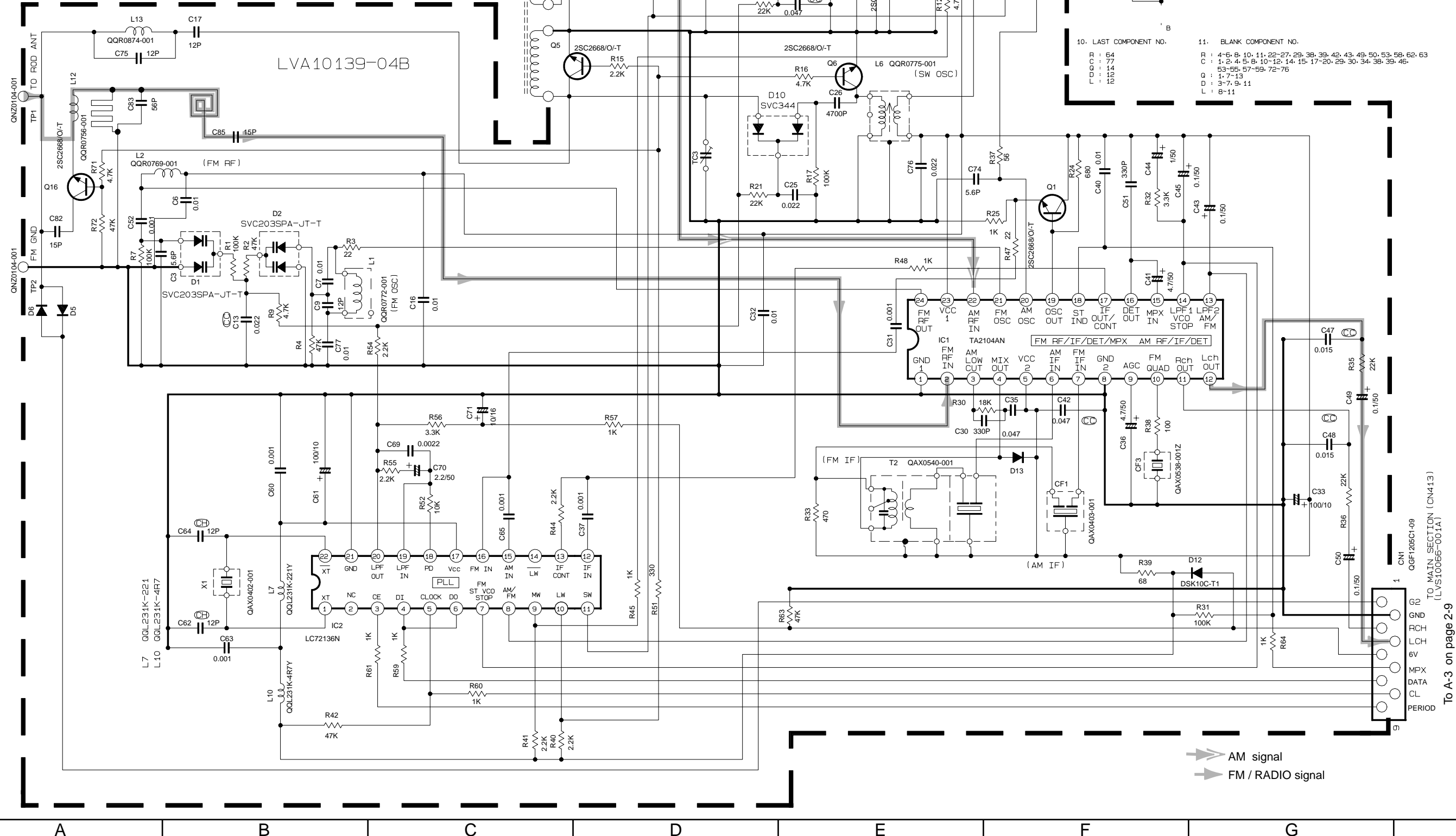
➔ Tape P.B. signal  
➔ Recording signal

To A-2 on page 2-9

To E-1 on page 2-8

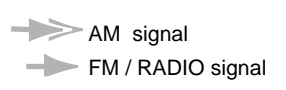
■ Tuner section

PIN NO	1	2	3	4	5	6	7	8	9	10	11	12	13	14	15	16	17	18	19	20	21	22	23	24
IC1 FM NO SIGNAL 88MHz	0	0.8	0	3.6	4	3.5	4	0	0.6	3.2	1.2	1.2	3.4	3.3	0.7	1.4	1.2	0	3.9	4	4.1	4	4	4
IC1 FM 88MHz 60dB STEREO	0	0.8	0.2	3.8	4.1	3.9	4.1	0	0	3.3	1.2	1.2	3.3	3.4	0.7	1.1	1.4	0.7	4	4.1	4.1	4.1	4.1	4.1
IC1 AM 531KHz NO SIGNAL	0	0	1	4.2	4.3	3.6	4.3	0	0.1	3.7	1.2	1.2	0	0	0.7	1.1	0.9	0.7	4.2	4.3	4.3	4.3	4.3	4.3
PIN NO	1	2	3	4	5	6	7	8	9	10	11	12	13	14	15	16	17	18	19	20	21	22	23	24
IC2 FM NO SIGNAL	2.5	0	0	5.1	5.1	5.1	5.1	3.5	3.2	3.9	2.5	4.1	0	1.4	1.7	0	2.4	0	0.9	0.9	1.5	0	2	
TR NO	Q1			Q3			Q4			Q5			Q6			Q15			Q17					
PIN NO	E	C	B	E	C	B	E	C	B	E	C	B	E	C	B	E	C	B	E	C	B	E	C	B
IC2 AM 531KHz NO SIGNAL	3.4	4.3	4.2	0	0	0.1	4.3	4.3	4.3	0	0	0.7	0	0	0.7	0	0	0.7	0	0.9	1.5	0	2	



- NOTES**
- VOLTAGES ARE DC-MEASURED WITH A DIGITAL VOLT METER
  - ALL RESISTORS ARE 1/6W 5% CARBON RESISTOR.
  - ALL RESISTANCE VALUES ARE IN OHM(Ω).
  - ALL CAPACITANCE VALUES ARE IN #F(PpF).
  - ALL E. CAPS ARE SHOWN IN THE FORM OF CAPACITANCE (#F)/RATED VOLTAGE (V).
  - ALL INDUCTANCE VALUES ARE IN #H(m=H)
  - S1. DIODES(▶) ARE ALL MA165 THAT CAN BE CHANGED TO SIMILAR DIODE SUCH AS 1SS254 OR HSS104TJ OR 1SS133
  - PARTS NO. OF TRANSISTORS ARE AS FOLLOWS:  
Q1, 2, 3, 5, 6 2SC2668/O/ OR 2SC1923/O/  
Q4 2SA1175/HFE/  
Q14 DTA114YS OR BN1A4P
  - INSIDE OF DIGITAL TRANSISTOR IS SHOWN AS FOLLOWS.  
DTA114YA-T  
or  
BN1A4P  
EO  
47K  
O C  
B
  - LAST COMPONENT NO.
  - BLANK COMPONENT NO.

To A-3 on page 2-9



System control section

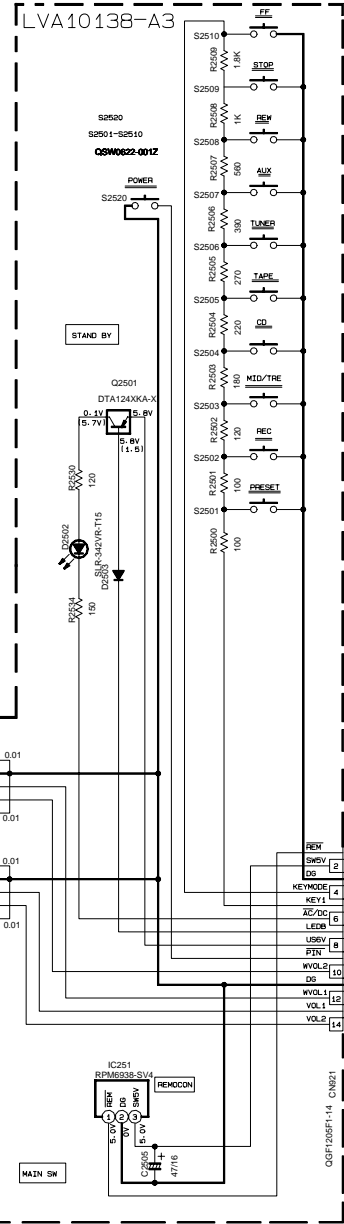
5

4

3

2

1



LVA10138-A1

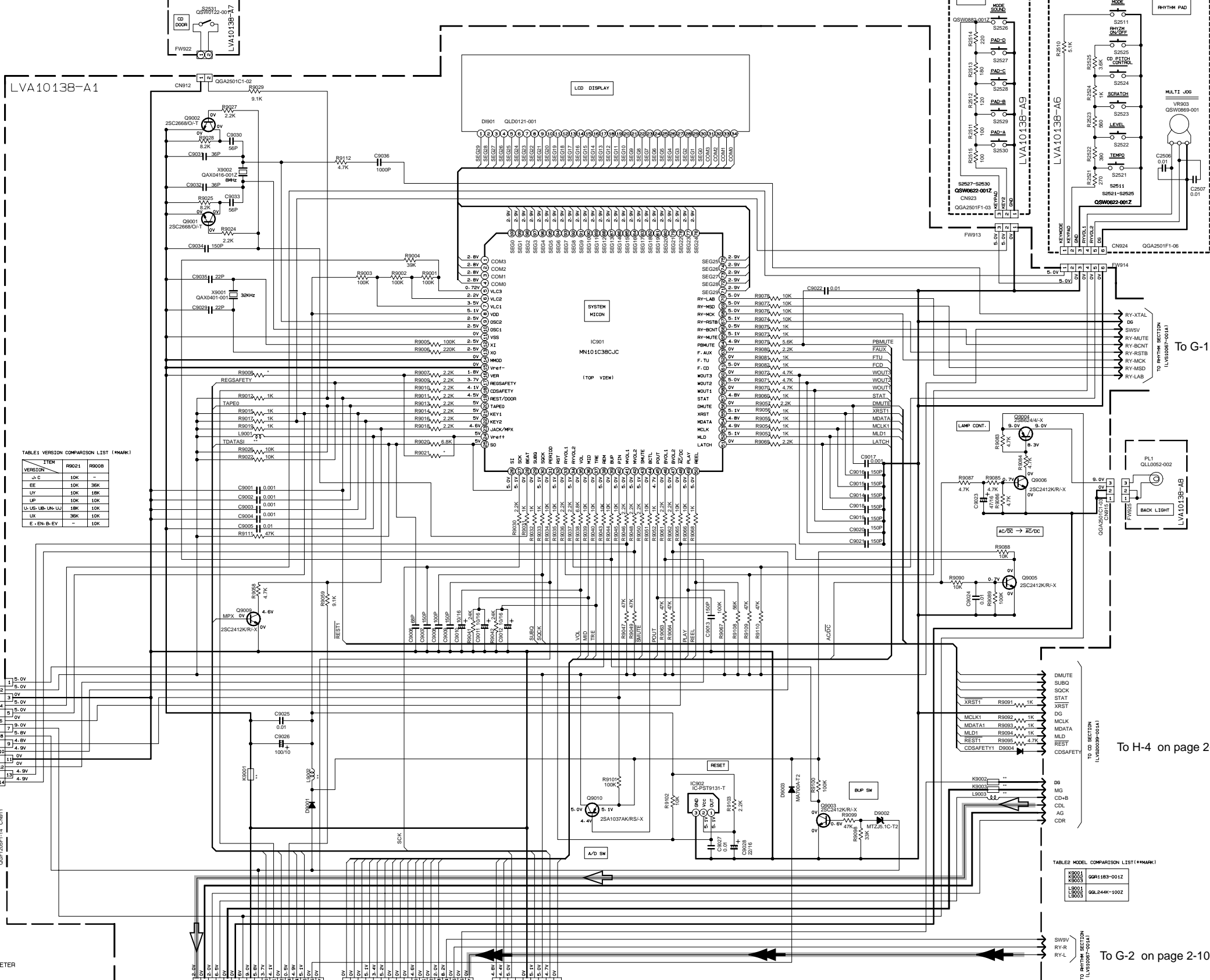
TABLE1 VERSION COMPARISON LIST (#MARK)

ITEM	R001	R008
J-C	10K	-
EE	10K	39K
UV	10K	18K
UP	10K	10K
U-LIB-LIB-UN-LJ	18K	10K
UX	39K	10K
E-EM-B-EV	-	10K

TABLE2 MODEL COMPARISON LIST (#MARK)

R001	GG1183-001Z
R008	GG1183-001Z
R009	GG1183-001Z
R010	GG1183-001Z
R011	GG1183-001Z
R012	GG1183-001Z
R013	GG1183-001Z
R014	GG1183-001Z
R015	GG1183-001Z
R016	GG1183-001Z
R017	GG1183-001Z
R018	GG1183-001Z
R019	GG1183-001Z
R020	GG1183-001Z
R021	GG1183-001Z
R022	GG1183-001Z
R023	GG1183-001Z
R024	GG1183-001Z
R025	GG1183-001Z
R026	GG1183-001Z
R027	GG1183-001Z
R028	GG1183-001Z
R029	GG1183-001Z
R030	GG1183-001Z
R031	GG1183-001Z
R032	GG1183-001Z
R033	GG1183-001Z
R034	GG1183-001Z
R035	GG1183-001Z
R036	GG1183-001Z
R037	GG1183-001Z
R038	GG1183-001Z
R039	GG1183-001Z
R040	GG1183-001Z
R041	GG1183-001Z
R042	GG1183-001Z
R043	GG1183-001Z
R044	GG1183-001Z
R045	GG1183-001Z
R046	GG1183-001Z
R047	GG1183-001Z
R048	GG1183-001Z
R049	GG1183-001Z
R050	GG1183-001Z
R051	GG1183-001Z
R052	GG1183-001Z
R053	GG1183-001Z
R054	GG1183-001Z
R055	GG1183-001Z
R056	GG1183-001Z
R057	GG1183-001Z
R058	GG1183-001Z
R059	GG1183-001Z
R060	GG1183-001Z
R061	GG1183-001Z
R062	GG1183-001Z
R063	GG1183-001Z
R064	GG1183-001Z
R065	GG1183-001Z
R066	GG1183-001Z
R067	GG1183-001Z
R068	GG1183-001Z
R069	GG1183-001Z
R070	GG1183-001Z
R071	GG1183-001Z
R072	GG1183-001Z
R073	GG1183-001Z
R074	GG1183-001Z
R075	GG1183-001Z
R076	GG1183-001Z
R077	GG1183-001Z
R078	GG1183-001Z
R079	GG1183-001Z
R080	GG1183-001Z
R081	GG1183-001Z
R082	GG1183-001Z
R083	GG1183-001Z
R084	GG1183-001Z
R085	GG1183-001Z
R086	GG1183-001Z
R087	GG1183-001Z
R088	GG1183-001Z
R089	GG1183-001Z
R090	GG1183-001Z
R091	GG1183-001Z
R092	GG1183-001Z
R093	GG1183-001Z
R094	GG1183-001Z
R095	GG1183-001Z
R096	GG1183-001Z
R097	GG1183-001Z
R098	GG1183-001Z
R099	GG1183-001Z
R100	GG1183-001Z

- NOTES
- VOLTAGES ARE DC-MEASURED WITH A DIGITAL VOLT METER OR OSCILLOSCOPE WITHOUT INPUT SIGNAL. CONDITION CD STOP AT AC SUPPLY VOLT. (L20) BASS VOL(L4)
  - UNLESS OTHERWISE SPECIFIED, RESISTORS ARE 1/6W ±5% CARBON RESISTOR. ALL RESISTANCE VALUES ARE IN OHM(Ω). ALL CAPACITORS ARE CERAMIC CAPACITOR OR MYLAR CAPACITOR. ALL CAPACITANCE VALUES ARE IN F(PI)H(F). ALL INDUCTANCE VALUES ARE IN mH(mH). ALL E-CAPACITORS ARE SHOWN IN THE FORM OF CAPACITANCE (μF)/RATED VOLTAGE (V). ALL DIODES ARE 1S254-T2 OR 1S5133-T2



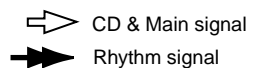
To B-1 on page 2-9

To G-1 on page 2-6

To G-1 on page 2-10

To H-4 on page 2-5

To G-2 on page 2-10



A

B

C

2-8

D

E

F

G

H





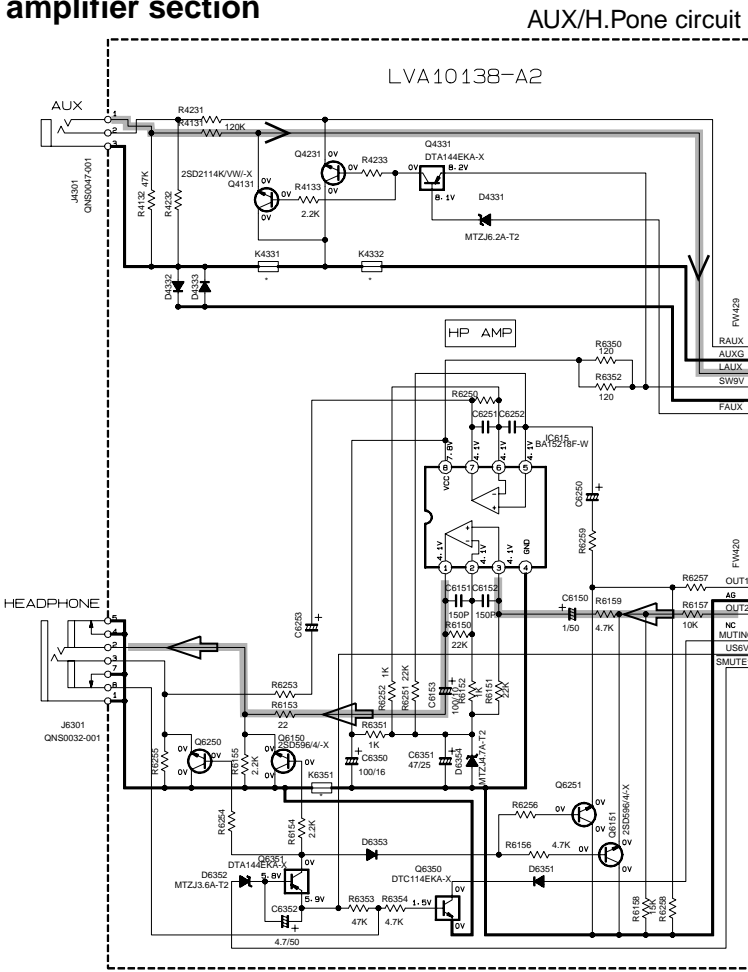
Power amplifier section

Power amplifier circuit

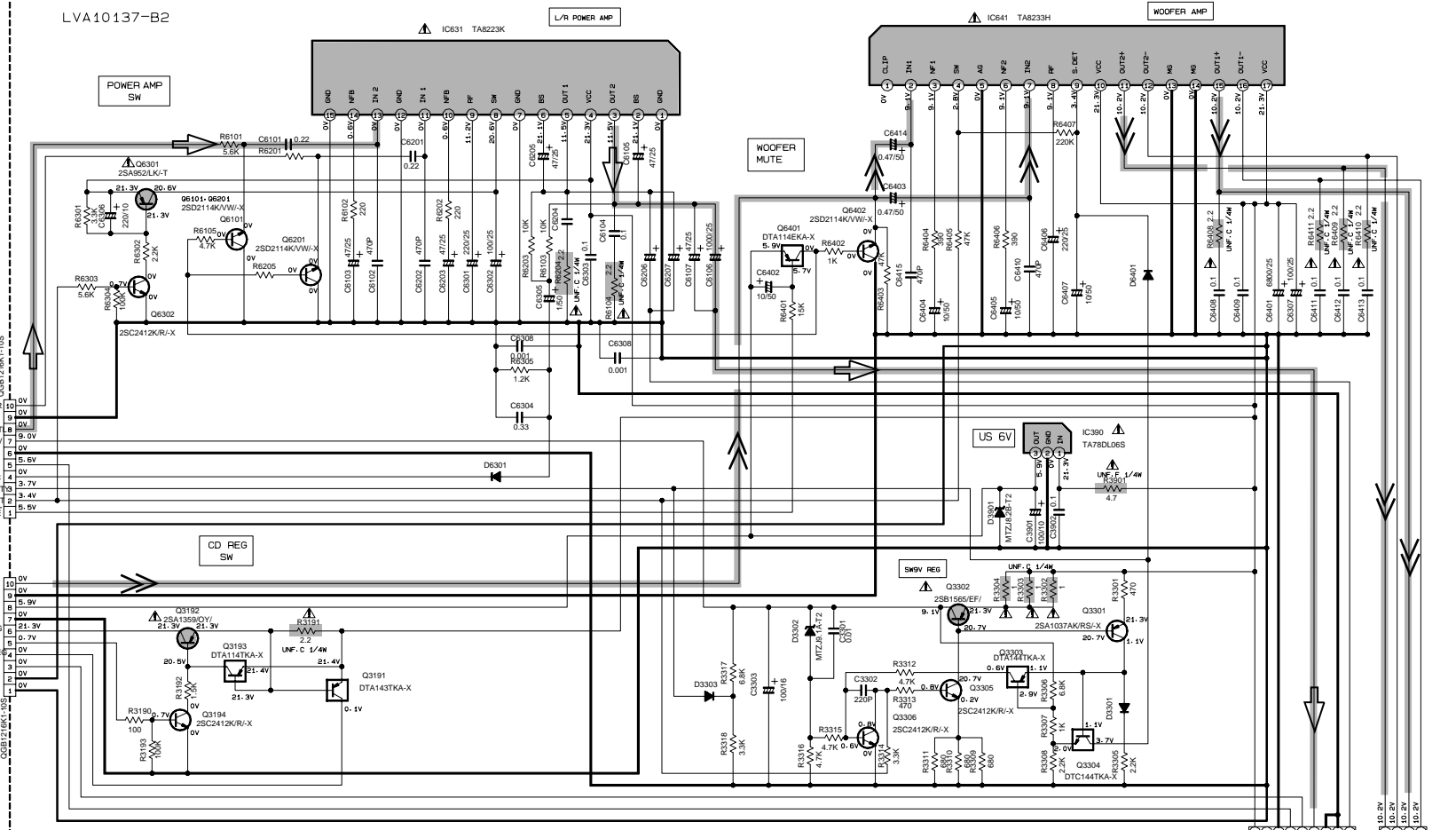
5

4

3



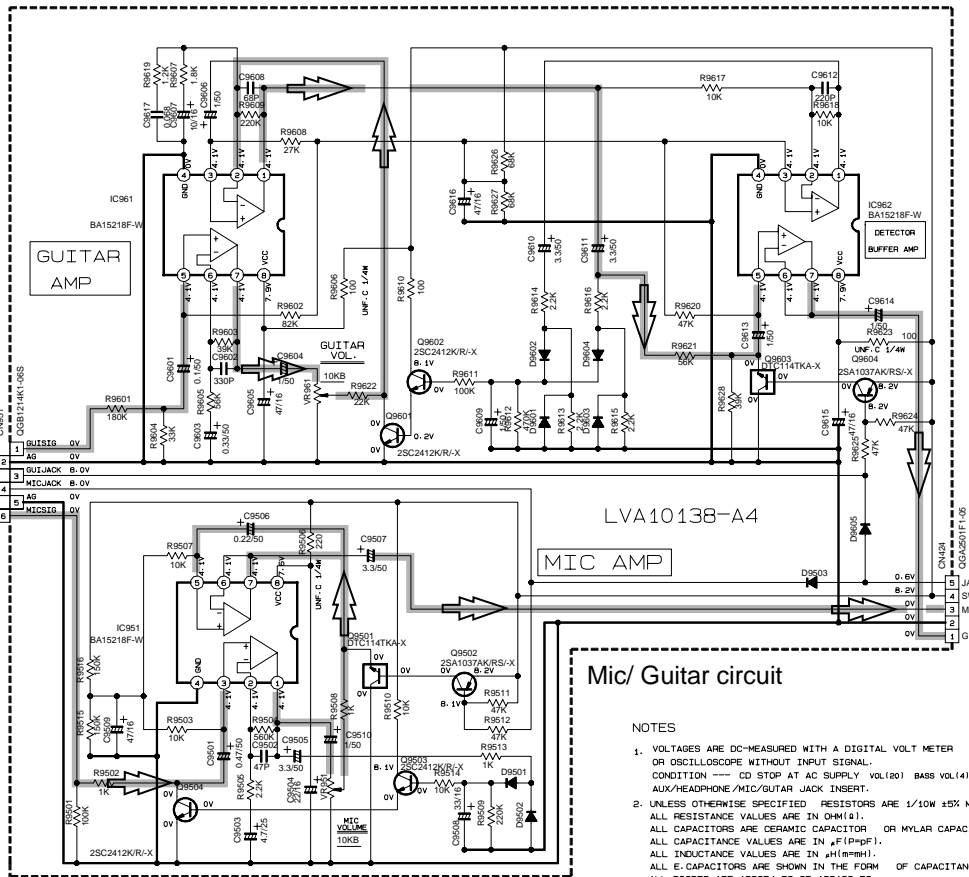
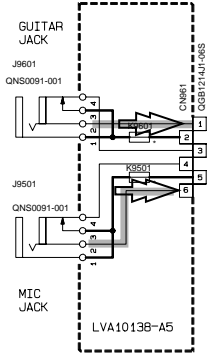
To D-5 on page 2-9 (LVS1006B-001A)  
 To H-2 on page 2-9 (LVS1006B-001A)  
 To H-3 on page 2-9 (LVS1006B-001A)  
 To C-5 on page 2-9 (LVS1006B-001A)



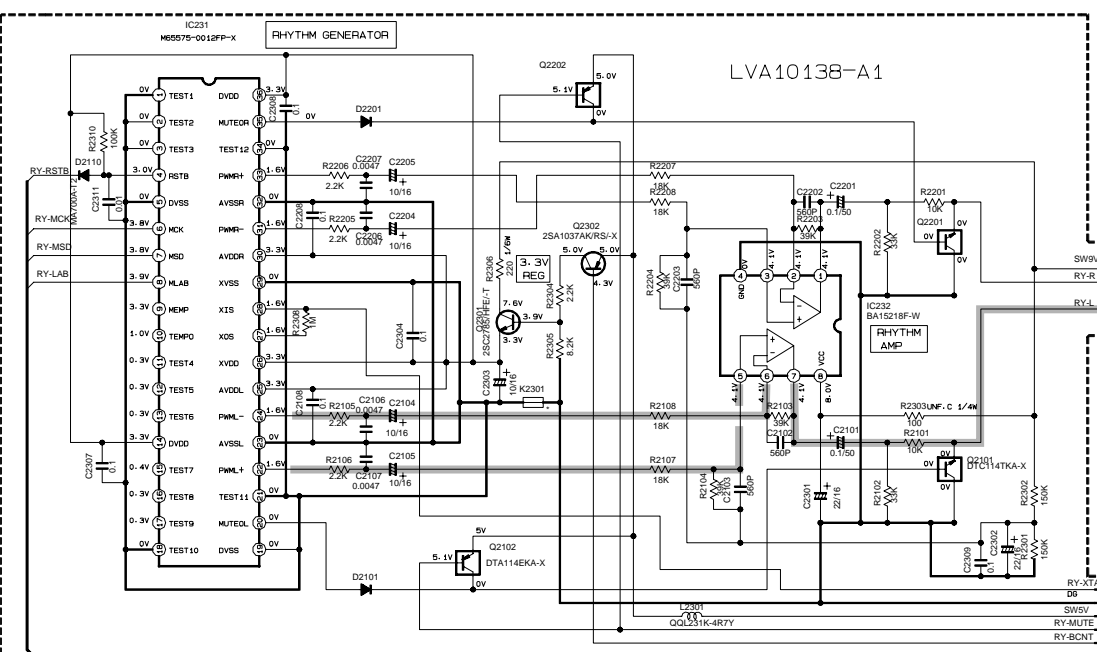
To D-5 on page 2-11 (LVS1006B-002A)  
 TO VOLTAGE SOURCE SECTION (LVS1006B-002A)

2

1



NOTES  
 1. VOLTAGES ARE DC-MEASURED WITH A DIGITAL VOLT METER OR OSCILLOSCOPE WITHOUT INPUT SIGNAL.  
 CONDITION --- CD STOP AT AC SUPPLY VOL(0) BASS VOL(1) AUX/HEADPHONE/MIC/GUITAR JACK INSERT.  
 2. UNLESS OTHERWISE SPECIFIED, RESISTORS ARE 1/10W ±5% MS RESISTOR.  
 ALL RESISTANCE VALUES ARE IN OHM(S).  
 ALL CAPACITANCE VALUES ARE IN μF (P=PF).  
 ALL INDUCTANCE VALUES ARE IN μH (P=PH).  
 ALL E-CAPACITORS ARE SHOWN IN THE FORM OF CAPACITANCE (μF)/RATED VOLTAGE (V).  
 ALL DIODES ARE 1SS254-T2 OR 1SS133-T2



Rhythm G. circuit

TABLE I (MARK) DIGITAL TRANSISTOR

DTA1148SA	DTA1148SA	DTA1148SA	DTA1148SA	DTA1148SA
10K	10K	10K	10K	10K

TABLE II (MARK) FERRITE BEADS (Kxxxx)

RV-DP200	RV-DP200
MARK	QR1183-0012

- MIC & Guitar signal
- CD & Main signal
- AUX signal
- Woofer signal

▲ Parts are safety assurance parts.  
 When replacing those parts make sure to use the specified one.

To G-1 on page 2-8

TO U-COM SECTION (LVB1006B-001A)

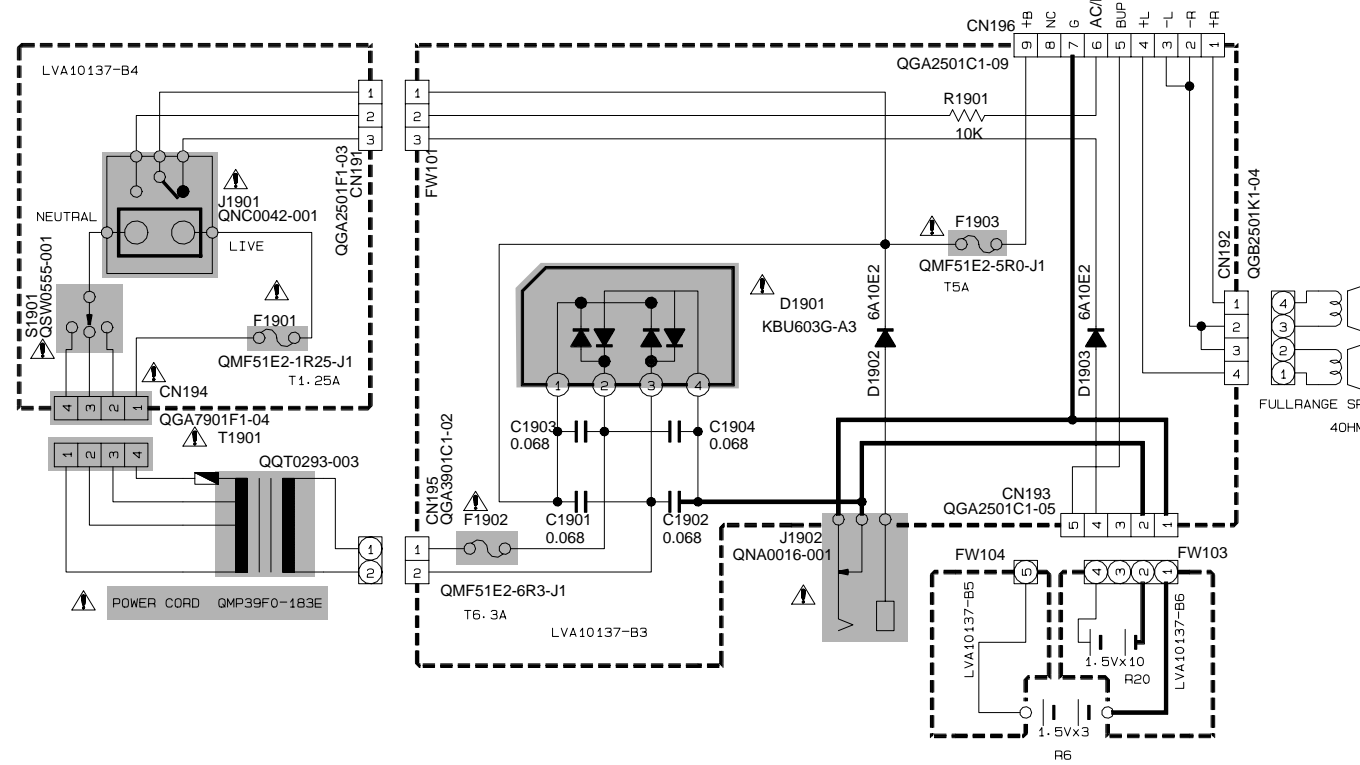
To G-4 on page 2-8

■ Power supply section

■ LED section

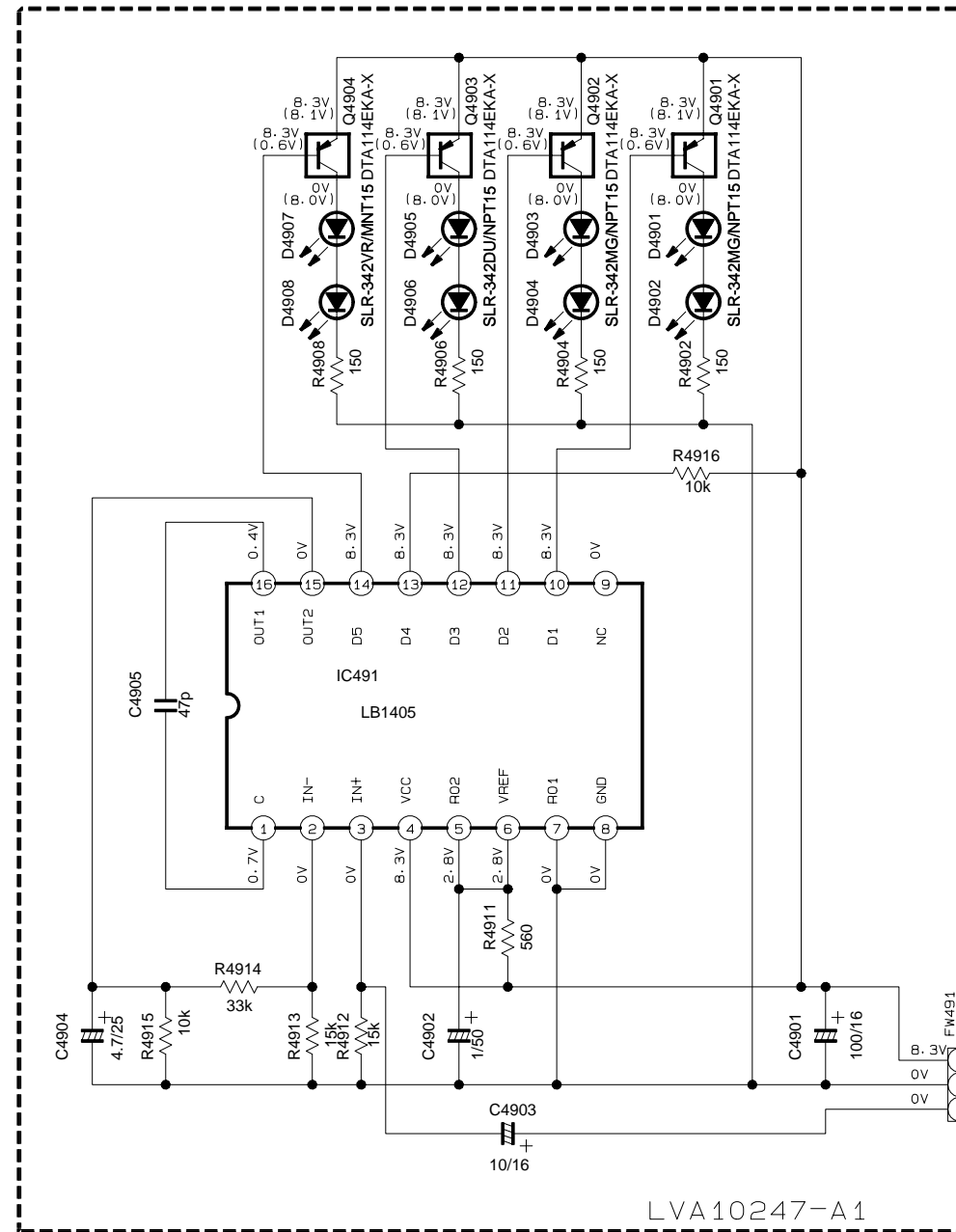
US/UN/UJ 110V/127V/230V/50Hz

To G-3 on page 2-10



- NOTES
1. VOLTAGES ARE DC-MEASURED WITH A DIGITAL VOLT METER OR OSCILLOSCOPE WITHOUT INPUT SIGNAL. CONDITION --- CD STOP MODE
  2. UNLESS OTHERWISE SPECIFIED RESISTORS ARE 1/4W ±5% CARBON RESISTOR. ALL RESISTANCE VALUES ARE IN OHM(Ω). ALL CAPACITORS ARE CERAMIC CAPACITOR OR MYLAR CAPACITOR. ALL CAPACITANCE VALUES ARE IN #F(P=pF).

⚠ Parts are safety assurance parts. When replacing those parts make sure to use the specified one.



NOTES

VOLTAGES ARE DC-MEASURED WITH A DIGITAL VOLT METER OR OSCILLOSCOPE WITHOUT INPUT SIGNAL. CONDITION --- CD STOP AT AC SUPPLY

UNLESS OTHERWISE SPECIFIED RESISTORS ARE 1/10W ±5% MG RESISTORS. ALL RESISTANCE VALUES ARE IN OHM(Ω). ALL CAPACITORS ARE CERAMIC CAPACITOR. ALL CAPACITANCE VALUES ARE IN #F(P=pF). ALL INDUCTANCE VALUES ARE IN #H(m=mH). ALL E. CAPACITORS ARE SHOWN IN THE FORM OF CAPACITANCE (#F)/RATED VOLTAGE (V).

TABLE1 DIGITAL TR LIST

PARTS NAME	DTA114EKA-X
CONSTRUCTION	

TO MAIN SECTION (CN401) (LVS10066-001A)

To A-2 on page 2-9

# Printed circuit boards

■ Main board

Main board

Power amp. board

Battery board 1

Battery board 2

Regulator board

AC input board

5

4

3

2

1

A

B

C

2-12

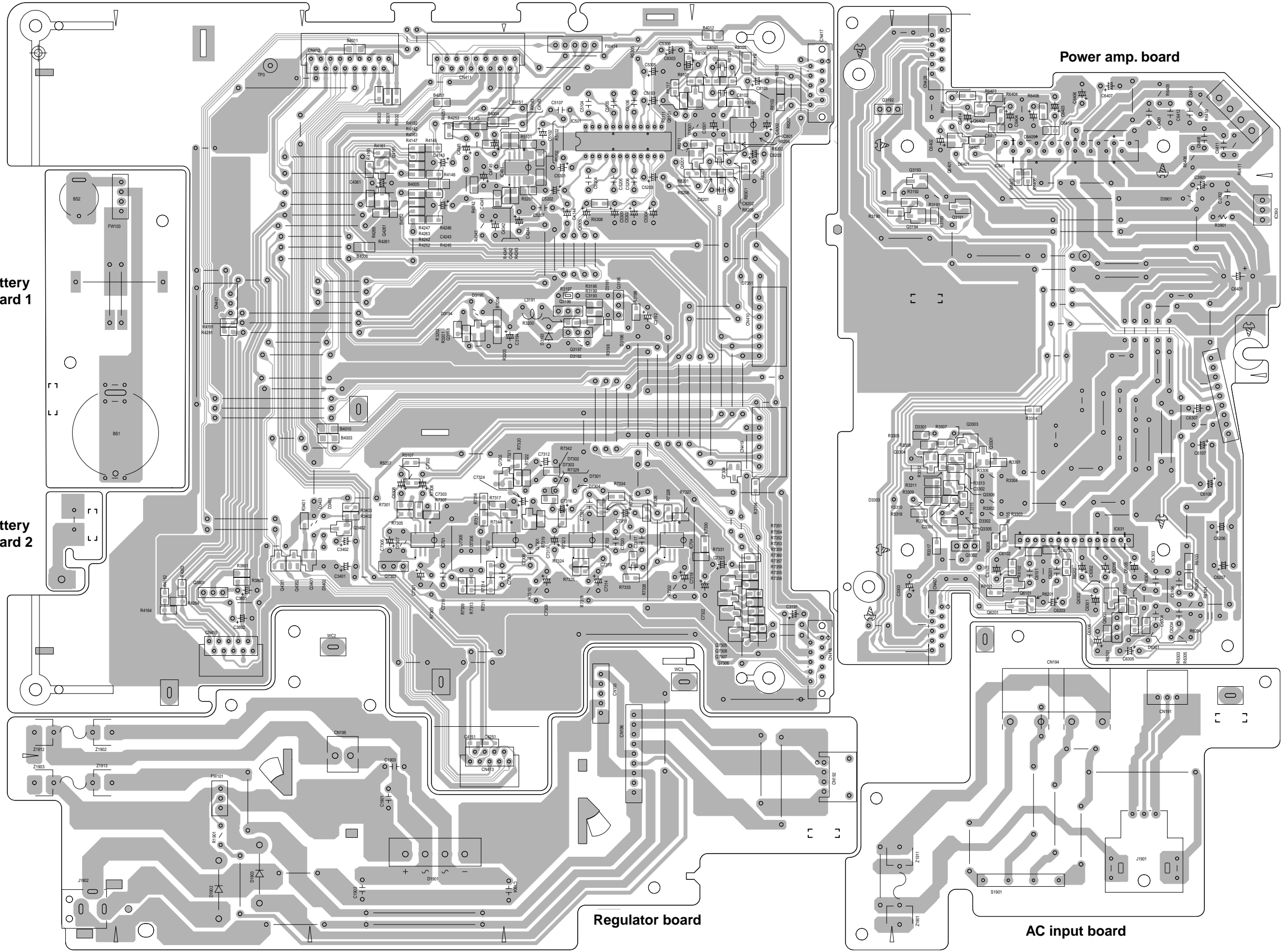
D

E

F

G

H



■ Micom board

Drum key board

Key switch board

MIC & guitar jack board

Scratch & rhythm board

P. lamp board

Micom. board

Head phone / AUX board

CD door switch board

MIC & guitar volume board

5

4

3

2

1

A

B

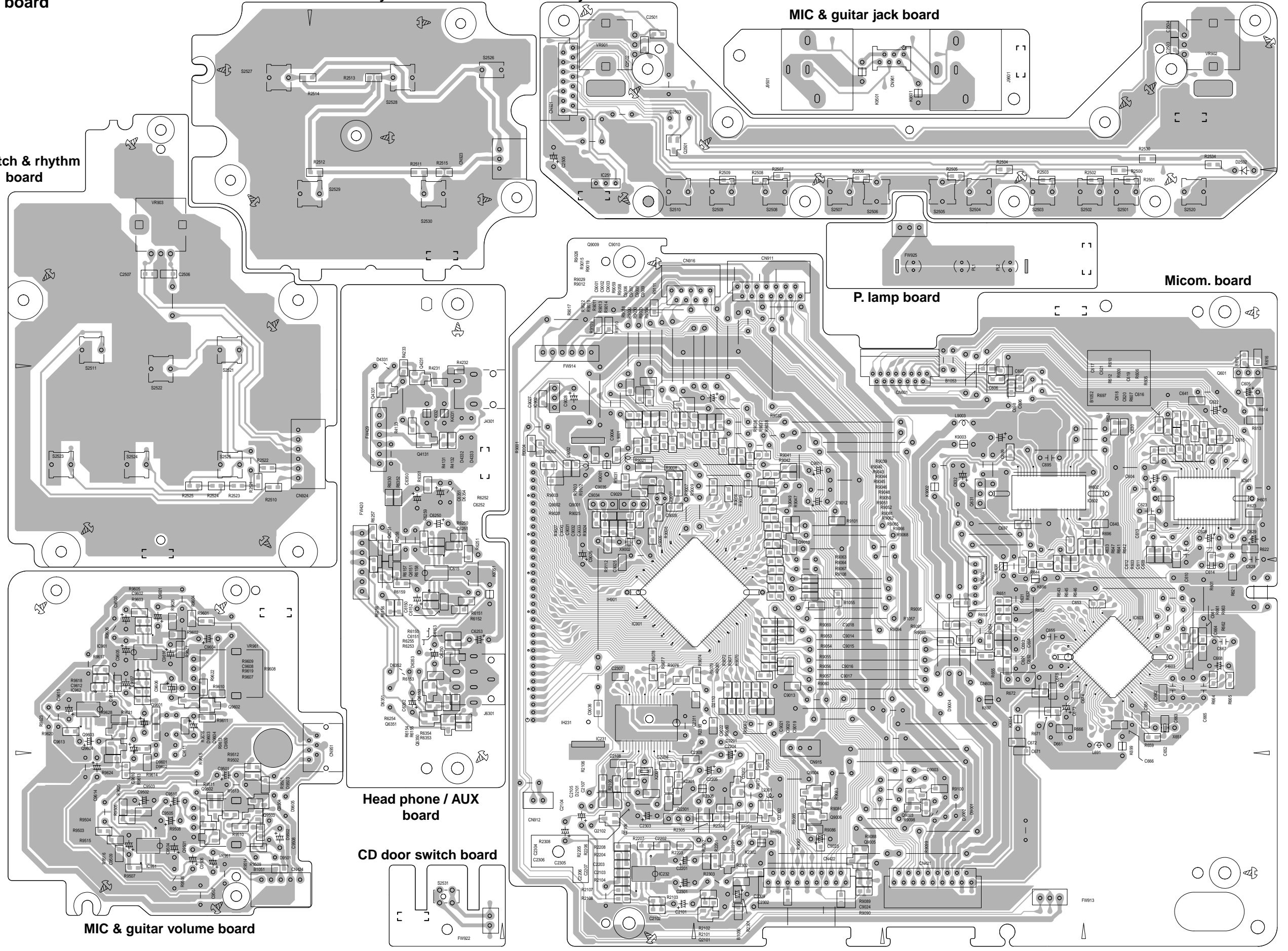
C

D

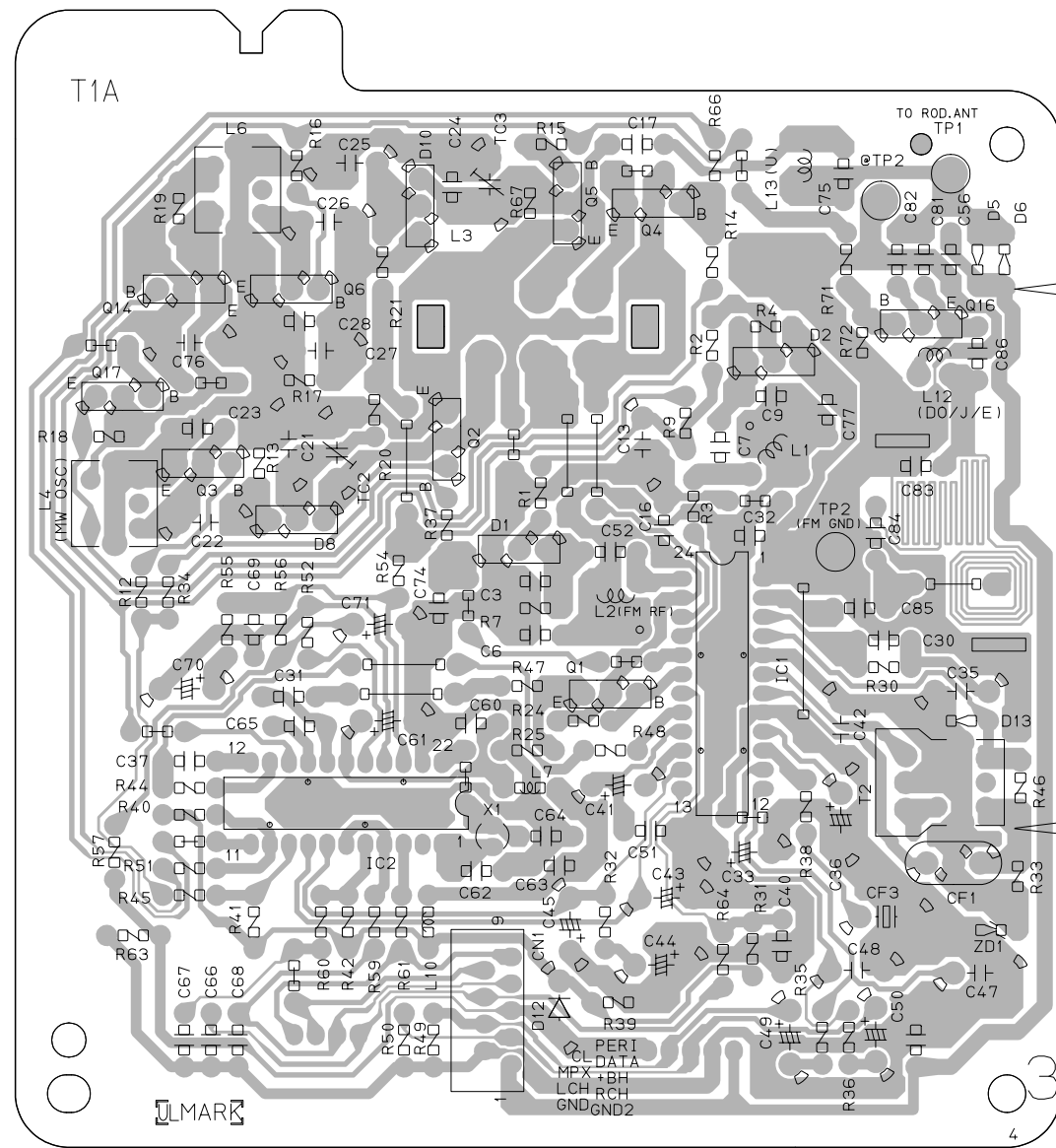
E

F

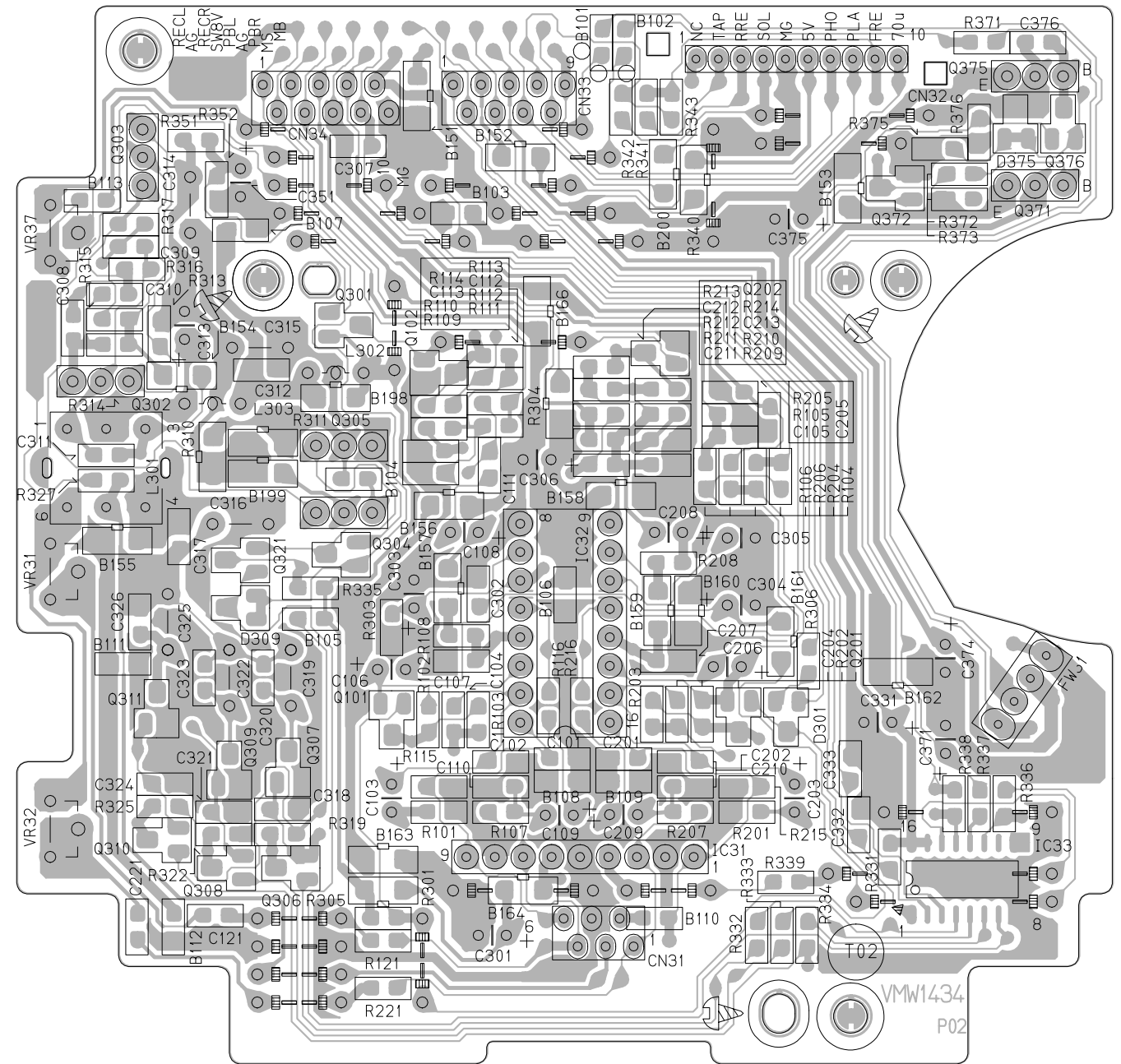
G



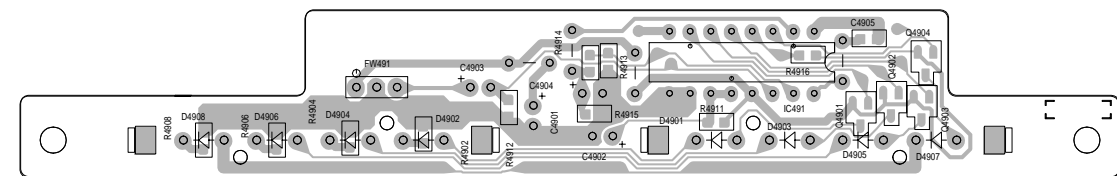
■ Tuner board



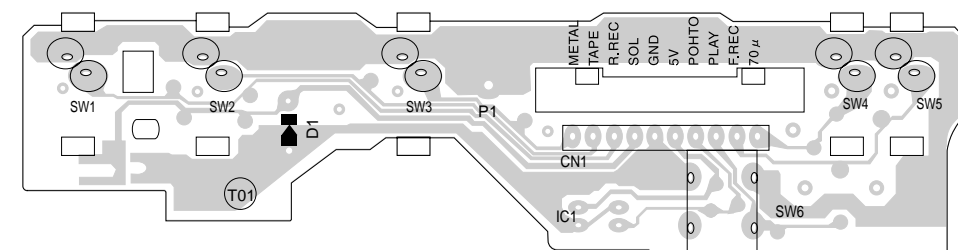
■ Head amplifier & mechanism board



■ LED board



■ Cassette switch board



5  
4  
3  
2  
1

A | B | C | 2-14 | D | E | F | G | H